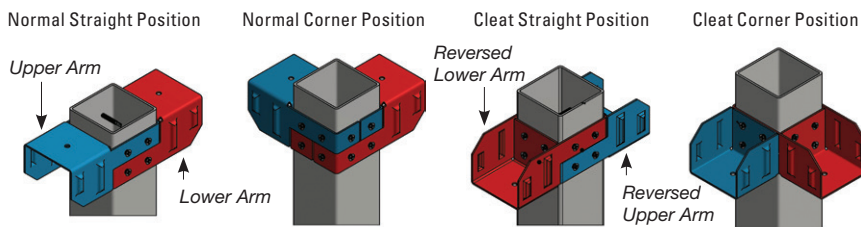
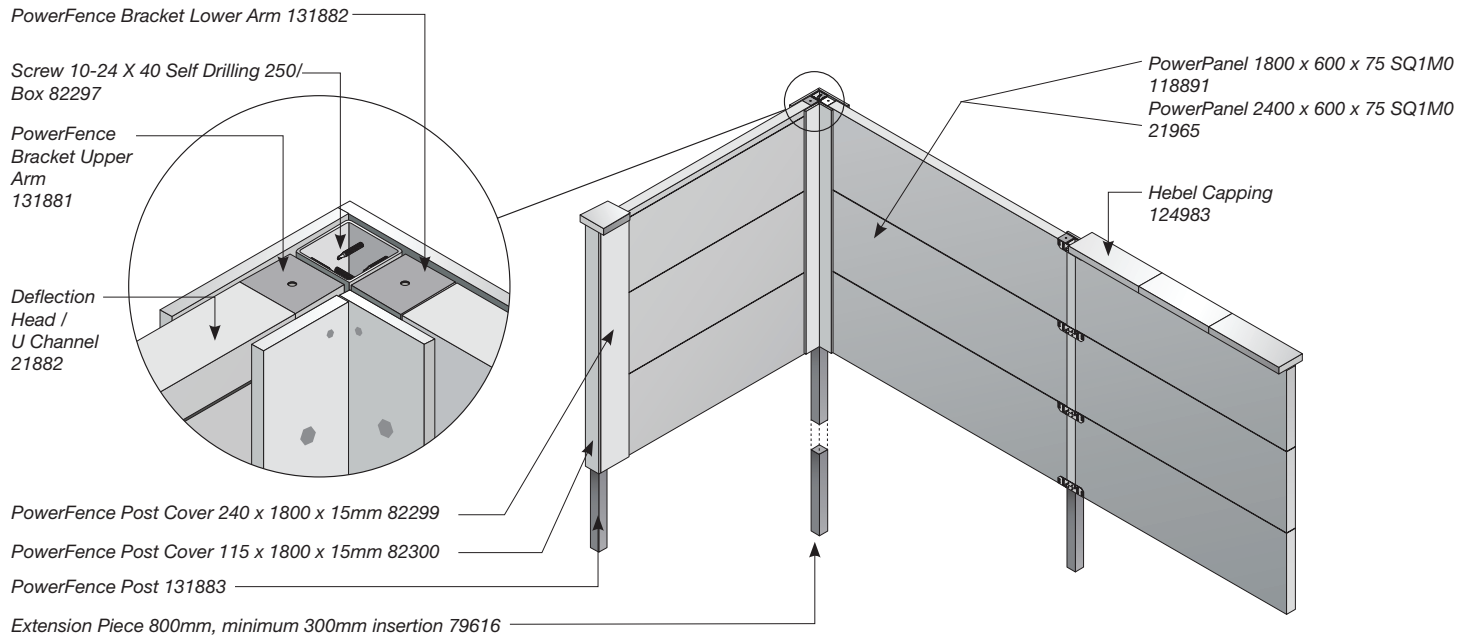


Building solid fences with Hebel PowerFence



PowerFence. High performance, affordable rendered fencing solution.

Hebel PowerFence is an attractive and versatile fence system that provides an efficient and effective privacy screen and noise barrier for residential applications.

Perfect for boundary fencing and front walls, Hebel PowerFence provides a modular structure using lightweight panels and steel posts which can be easily and quickly erected without the need for extensive excavation or strip footings, as is normally the case for traditional masonry fence construction.

Hebel PowerFence can be finished in either Exposed or Monolithic look and can also be adapted to include a range of different decorative treatments such as timber panels or ironwork.

The PowerFence system uses a specially designed PowerFence Bracket, allowing the single square post to be used for a large variety of fence configurations. The PowerFence Bracket can be rotated around the post for easy installation of corners. The brackets can be separated vertically on the post to allow panels to be 'stepped' for sloping terrain, or simply set on lower post to create different fence heights.

Benefits of constructing your fence with PowerFence

- is simple, cost effective and attractive
- creates privacy and acts as reflective noise barrier system

- can easily be adjusted for height
- perfect for boundary fencing and as an alternative to brick or block masonry for front fences
- can be decorated with a range of profiles and looks to provide design flexibility
- is non combustible and termite resistant – the perfect choice for bushfire prone areas
- uses 75mm Hebel PowerPanel, with specially coated reinforcement to deter corrosion and provide maximum durability

HEBEL. Better by design. Better to build with. Better for the future.

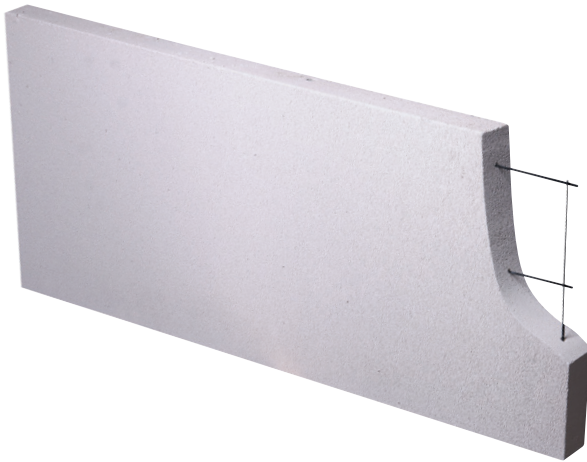


Solid, beautiful and easy to install

Your choice of fencing is important to the overall look, security and value of your home.

A beautiful home will be enhanced by an attractive and solid fence.

Hebel PowerFence offers all this, with a simple to build modular fencing system that provides the privacy and noise reduction benefits of traditional brick fencing, at a fraction of the construction time, mess and cost.



Hebel panels contain steel reinforcement for added strength and are available in a variety of sizes.

An innovative, sustainable and proven building product, Hebel PowerFence is a strong steel reinforced AAC panel and has impressive benefits:



SOLID AND STRONG

Hebel 75mm steel reinforced PowerFence panels provide the solid feel, security and peace-of mind associated with traditional bricks. In fact, independent tests show that a rendered Hebel wall has similar impact resistance to brick.



FASTER CONSTRUCTION TIME

Hebel PowerFence system is quickly and easily erected without the need for extensive excavation or strip footings as in the case for a traditional brick fence. Less wastage and no mess.



COMFORTABLE LIVING ENVIRONMENT

Enhanced insulation performance up to 3 times that of brick. The thermal efficiency reduces the reliance on heating and cooling appliances with the potential of lower energy costs.



BETTER ACOUSTICS

Keeping the noise of the exterior world out and your home and outdoor living areas a little more peaceful and quiet.



FIRE RESISTANT

Non-combustible and renowned for its highly fire resistant properties, suitable for all Bushfire Attack Levels under AS 3959-2009.



SUSTAINABILITY FOR A BETTER WORLD

Environmentally friendly, Hebel products and systems are the sustainable choice. Independent testing shows that overall, Hebel has a 30% lower environmental impact than concrete. Using over 60% less embodied energy, and producing at least 55% less greenhouse emissions than concrete, Hebel is the cleaner, greener choice.



PROVEN AND BACKED BY CSR

Hebel products and systems are designed, developed and warranted in Australia by CSR.

Phone 1300 369 448 Email: info@hebel.com.au
www.hebel.com.au

CSR Hebel app – download at the app store or on android

Hebel® is a registered trademark of the Xella group. CSR Building Products Ltd is an exclusive licensee of Xella. CSR Hebel is a business of CSR Building Products Ltd ABN 55 008 631 356.

hebel[®]
The better way to build

